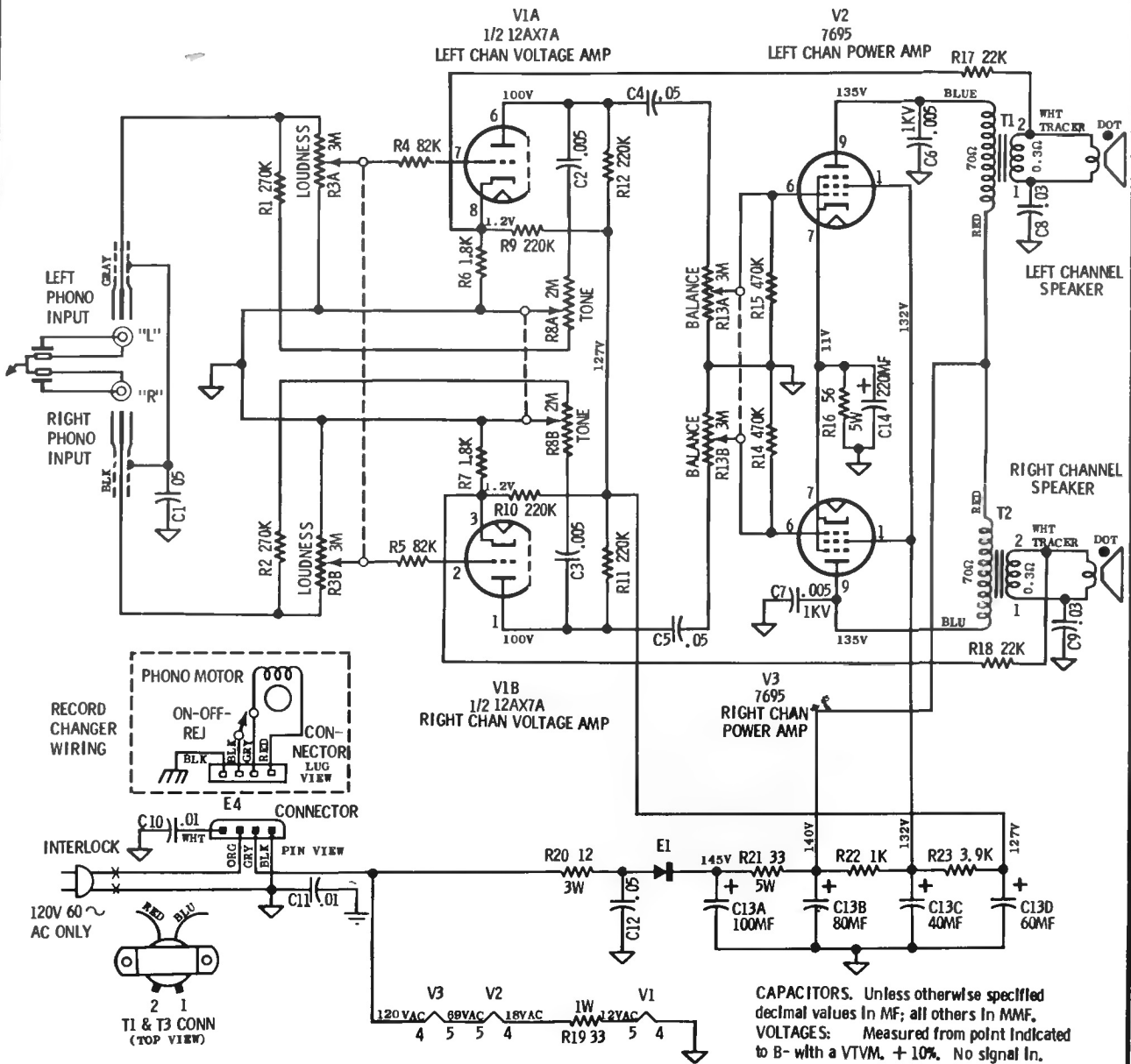
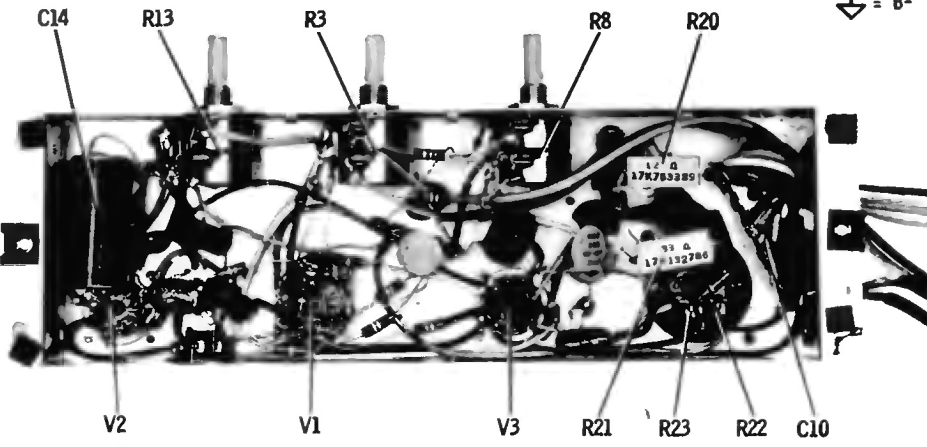


MOTOROLA MODELS SP52, SP511 CHASSIS HS-1135



CAPACITORS. Unless otherwise specified decimal values in MF; all others in MMF.
VOLTAGES: Measured from point indicated to B- with a VTVM. + 10%. No signal in.

↓ = B- ⊥ = CHASSIS = RECORD CHANGER FRAME



PARTS LOCATION